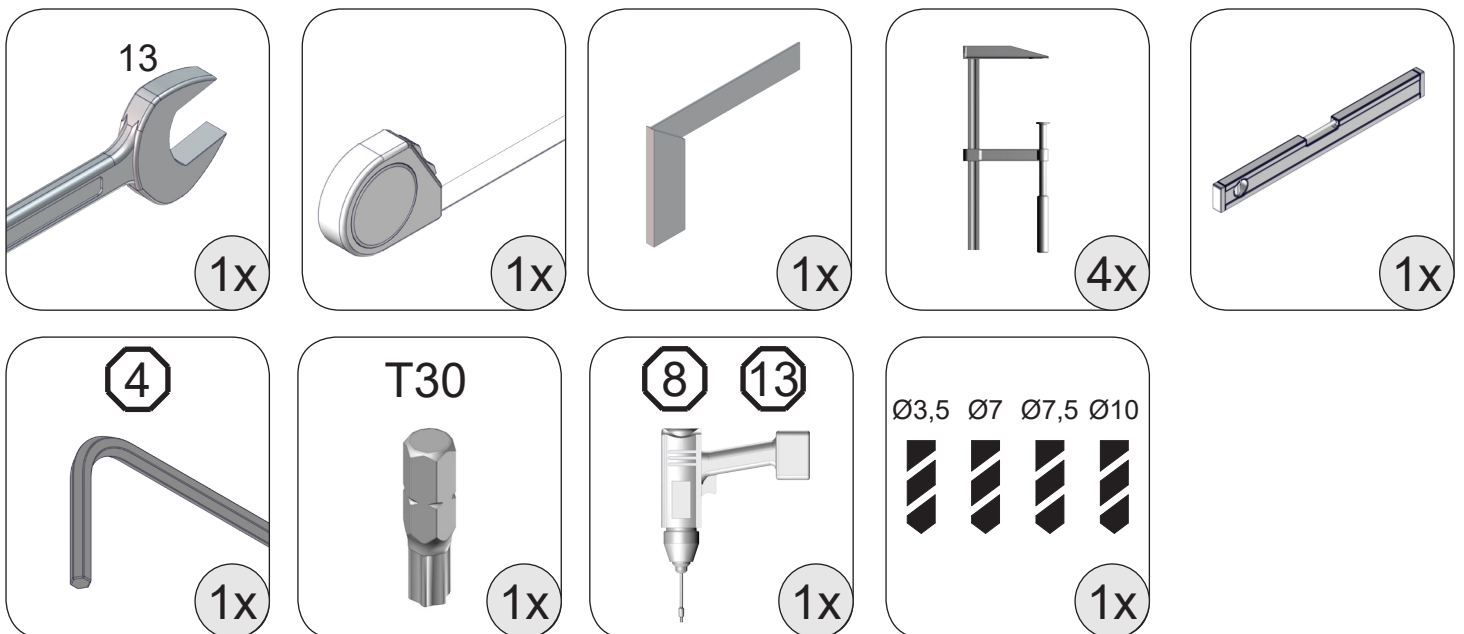
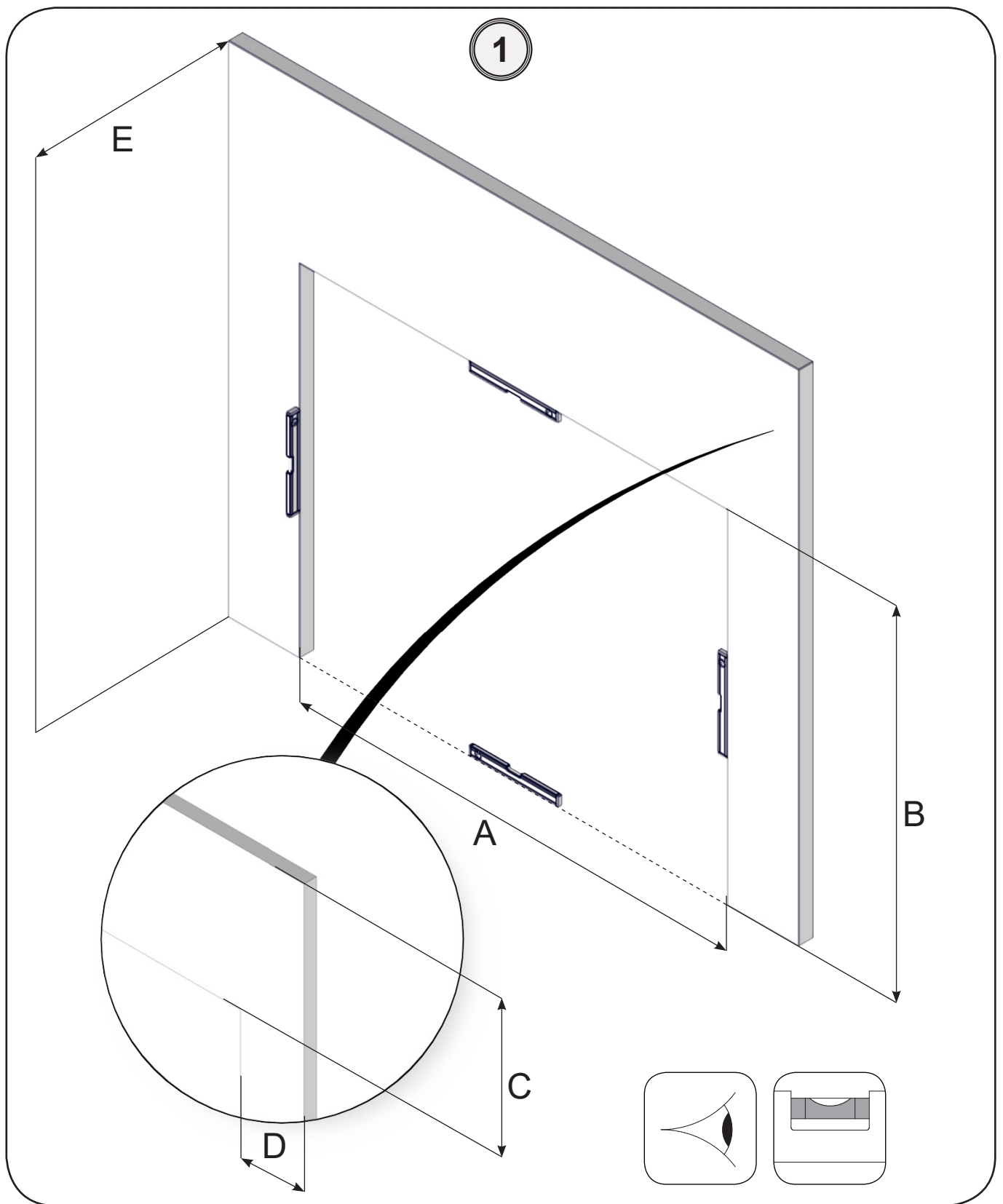


INDUSTRIELLE40 - PORTEFEUILLE

MONTAGEHANDLEIDING - ASSEMBLY MANUAL - MONTAGEANLEITUNG - MANUEL DE MONTAGE



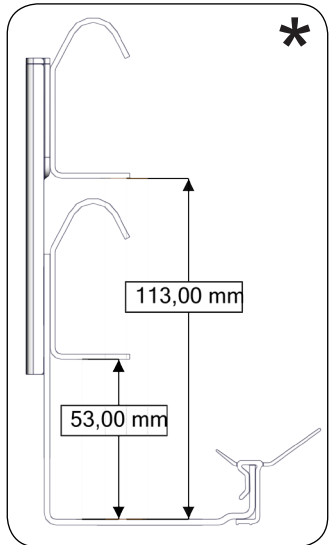
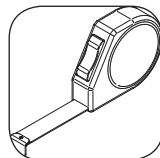
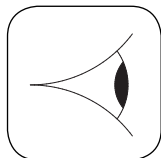
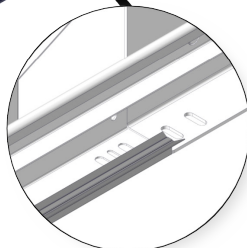
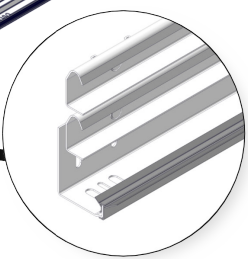
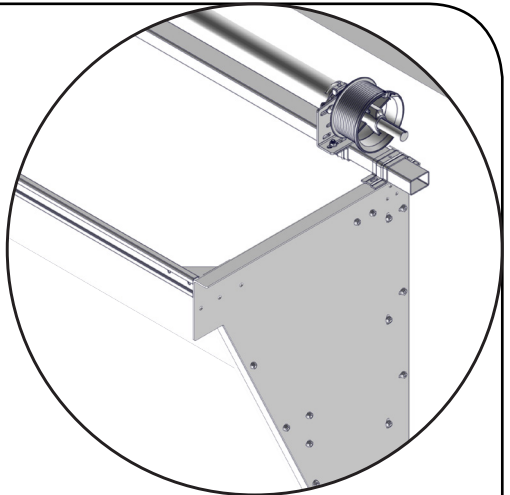
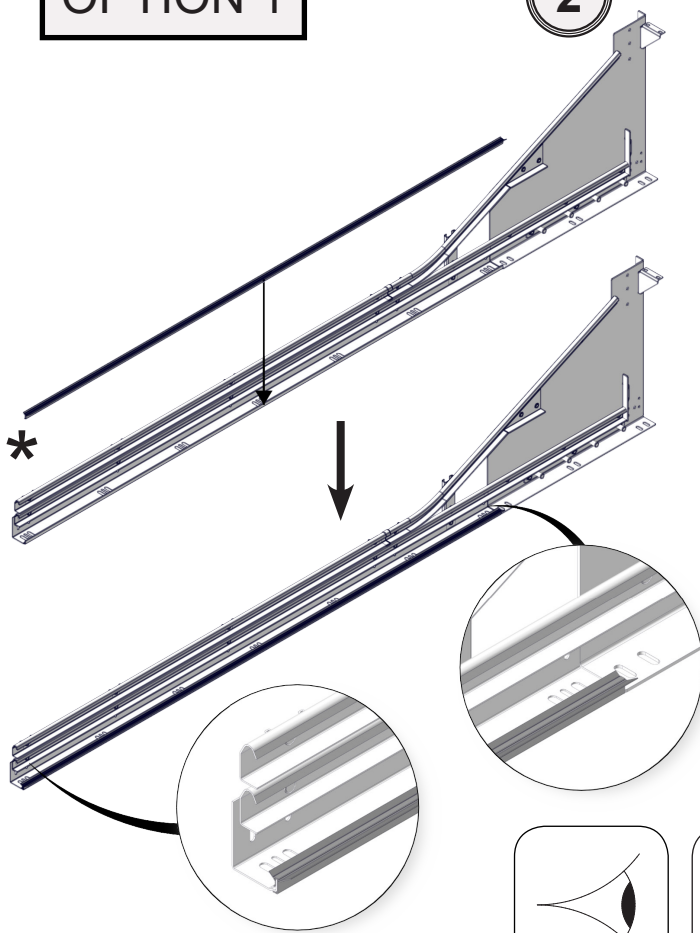
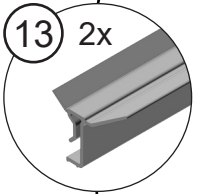




| A | B | C | D | E |
|------------------|------------------|---------------------------|-----------------------|---------------------------|
| DLW | DLH | FHR | FSR | FMD |
| Dagmaat breedte | Dagmaat hoogte | Vrije bovenruimte | Vrije zijruimte | Inbouwdiepte |
| Day Light Width | Day Light Height | Free Head Room | Free Side Room | Free Mounting Dept |
| Tageslichtbreite | Tageslichtehöhe | Sturzfreiraum | Freie Seitenraum | Freie Einbautiefe |
| Largeur de baie | Hauteur de baie | Linteau disponible | Ecoinçons Recuis | Recul |
| Lățime Gol | Înălțime Gol | Buiandrug Liber | Spațiul Liber Lateral | Spațiul Liber în Adâncime |
| Szélesség | Magasság | Szabad szemöldök magasság | Szabad hely oldalt | Szabad beépítési mélység |

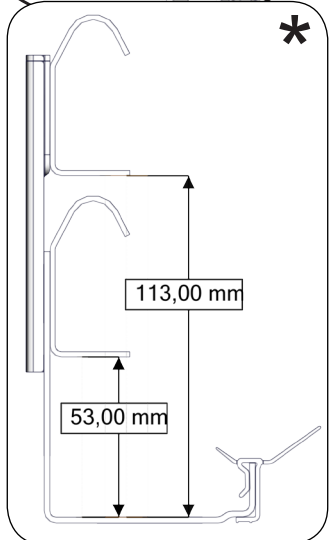
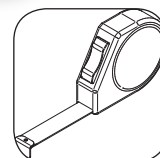
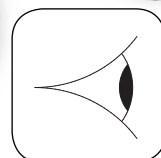
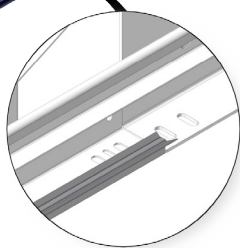
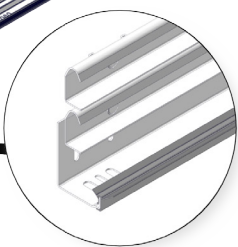
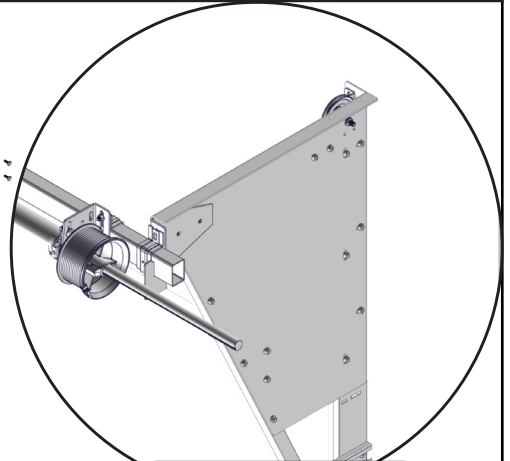
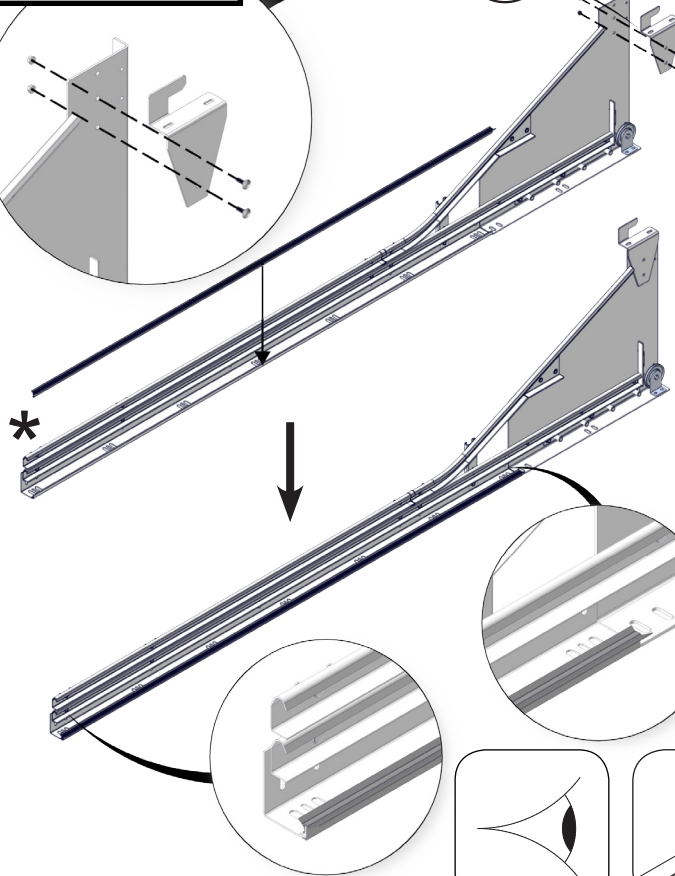
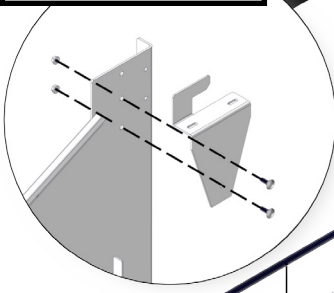
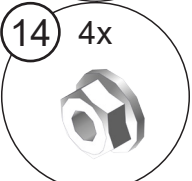
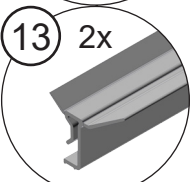
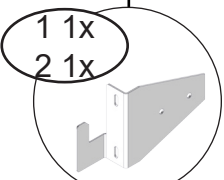
OPTION 1

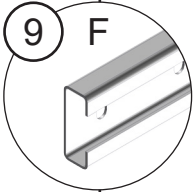
2



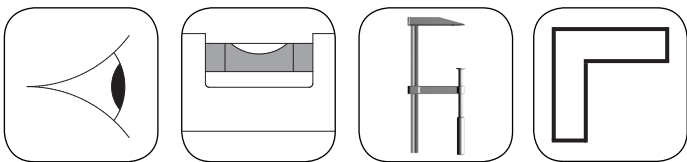
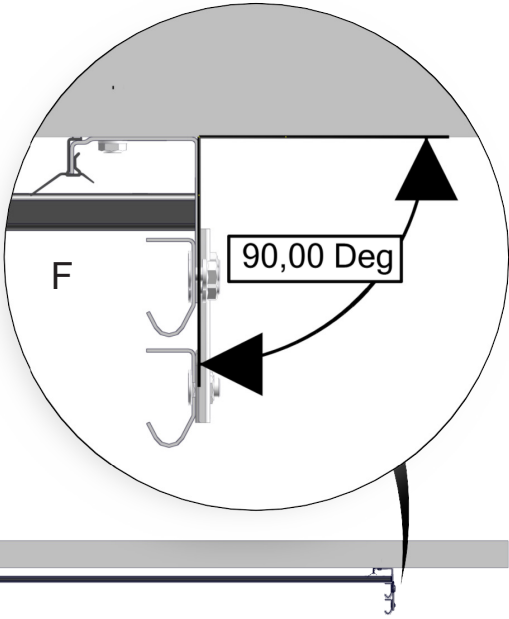
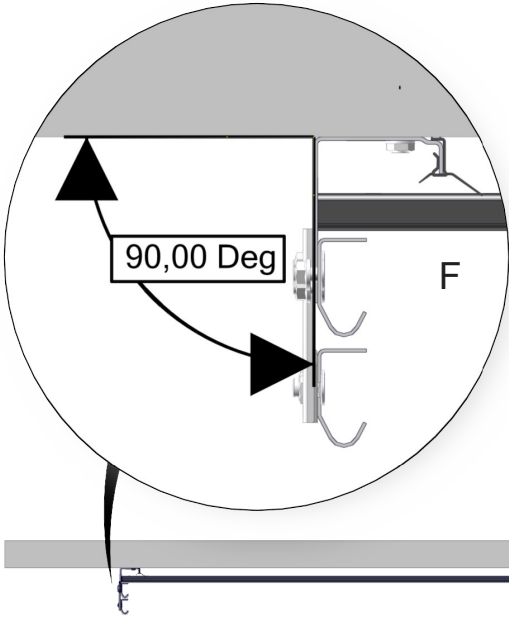
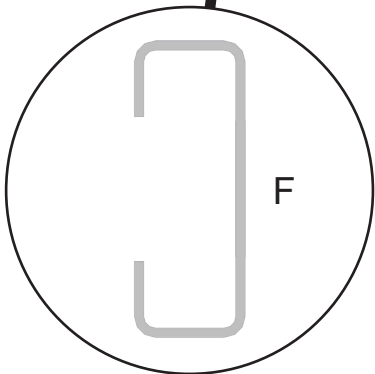
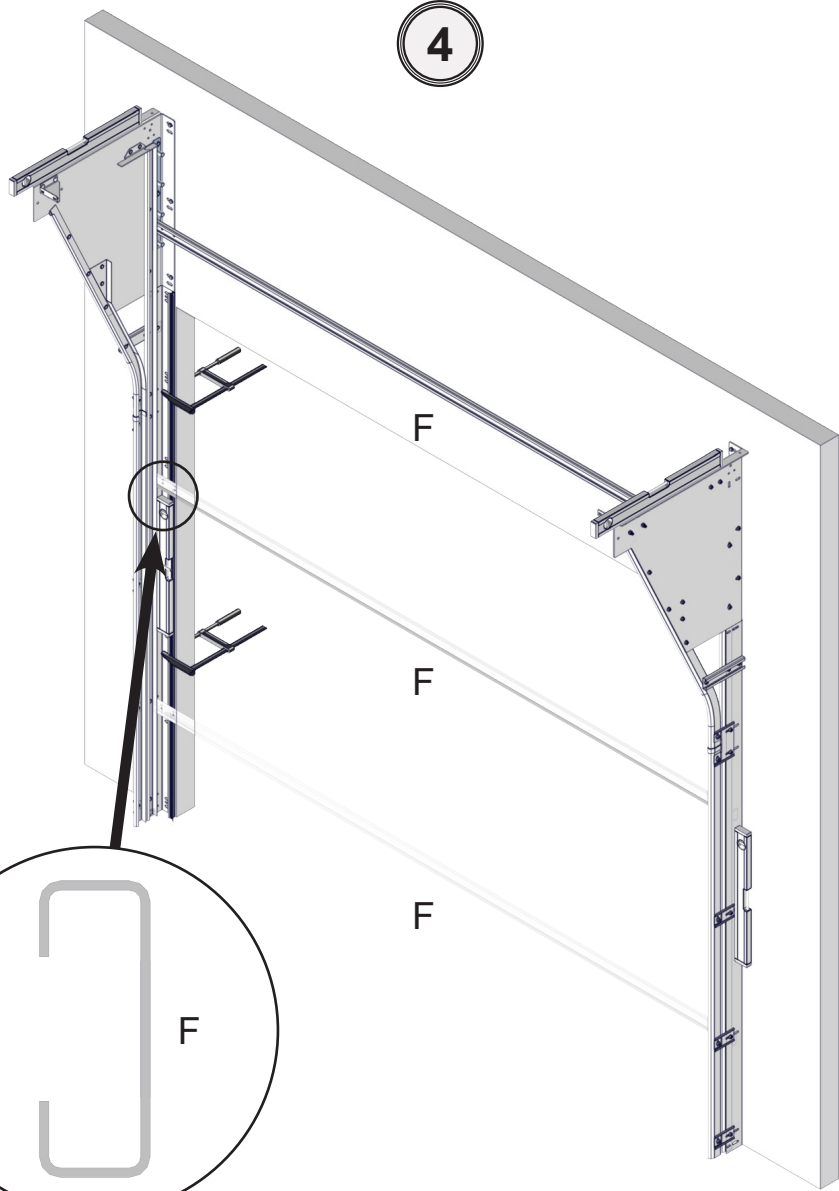
OPTION 2

3

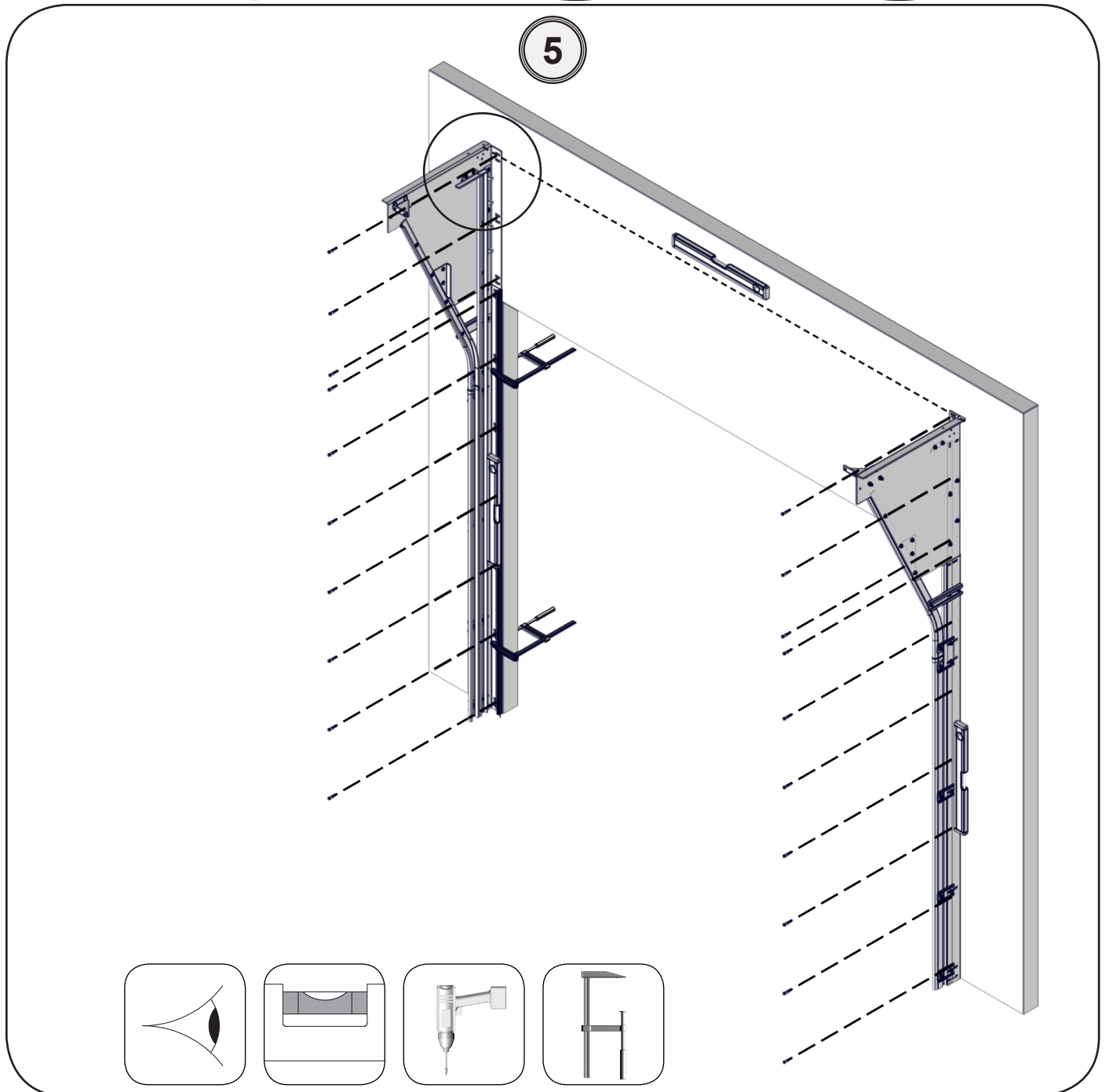
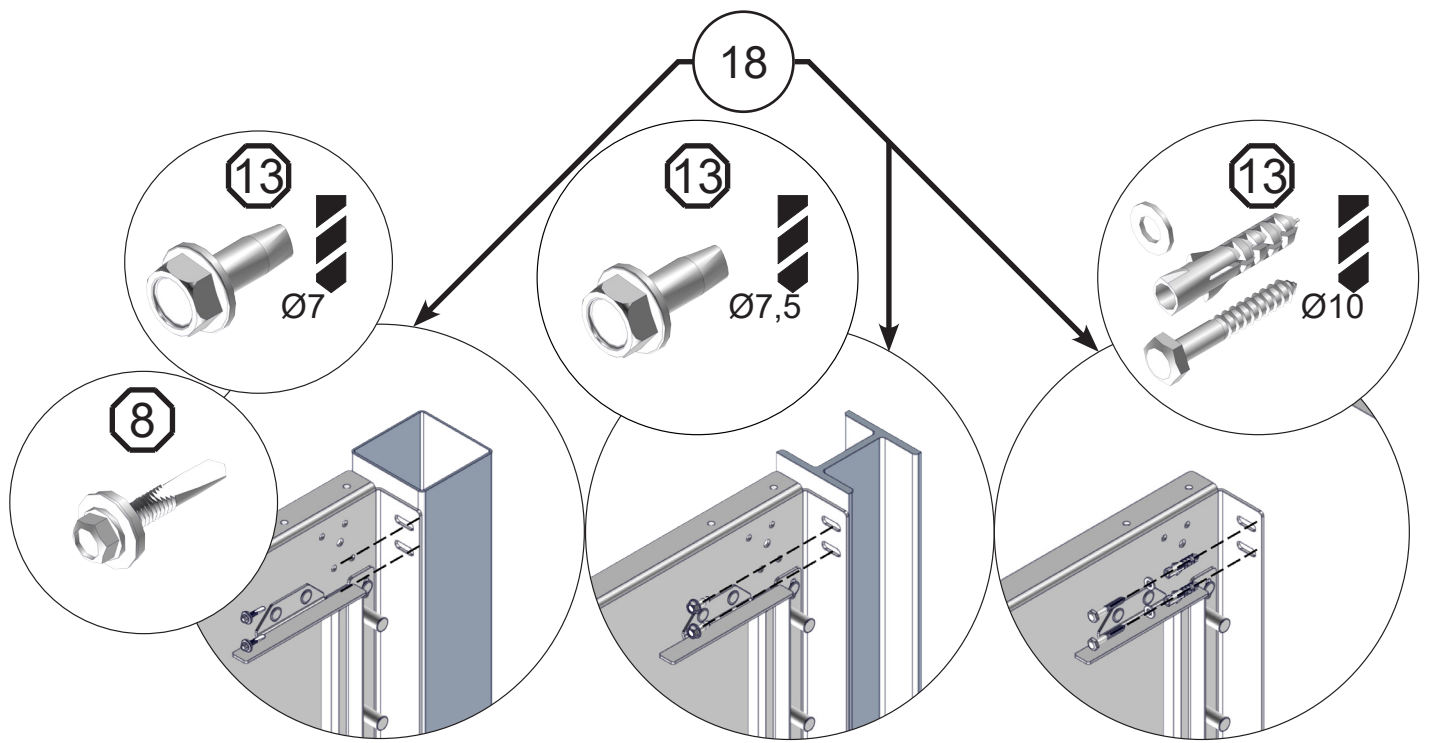


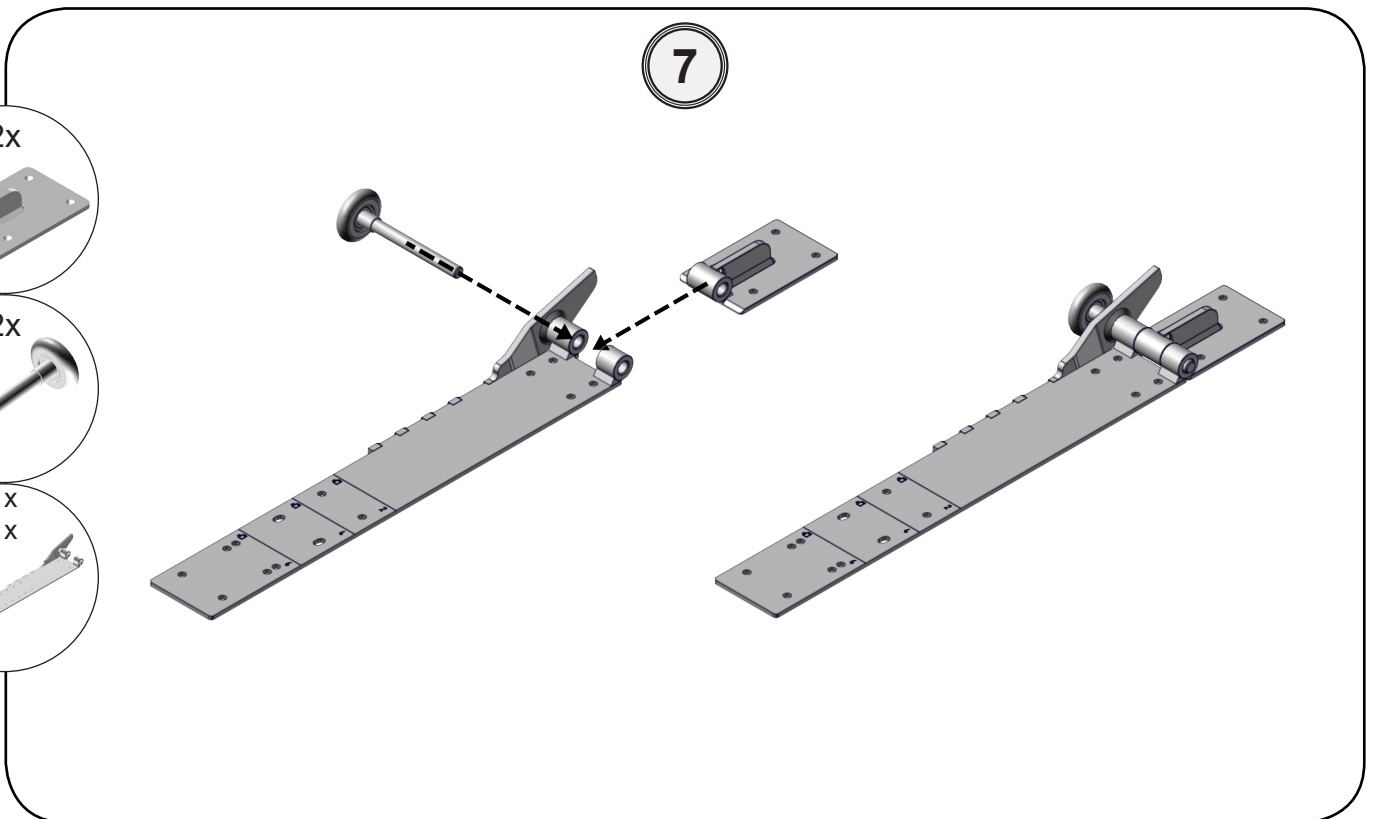
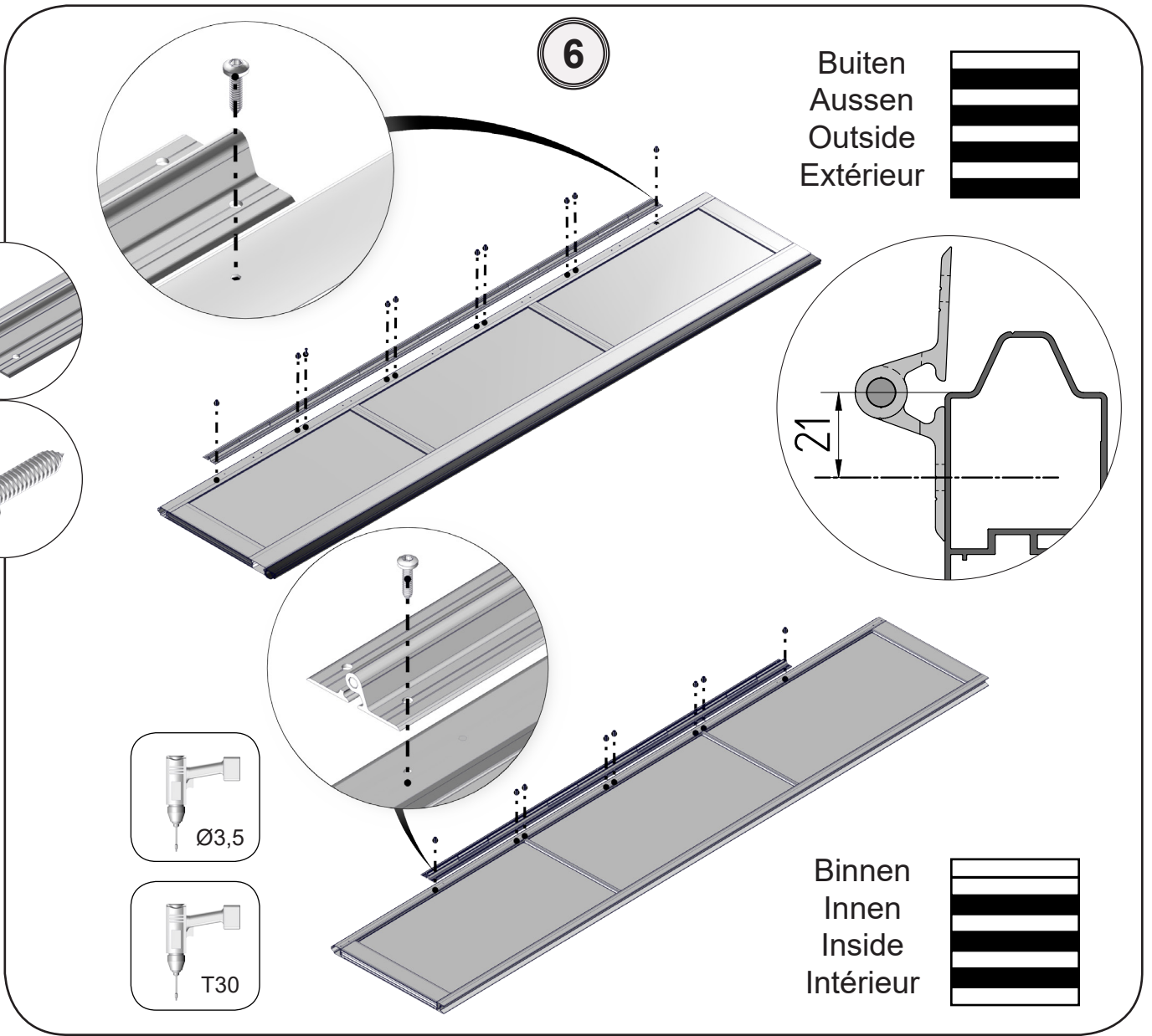


4



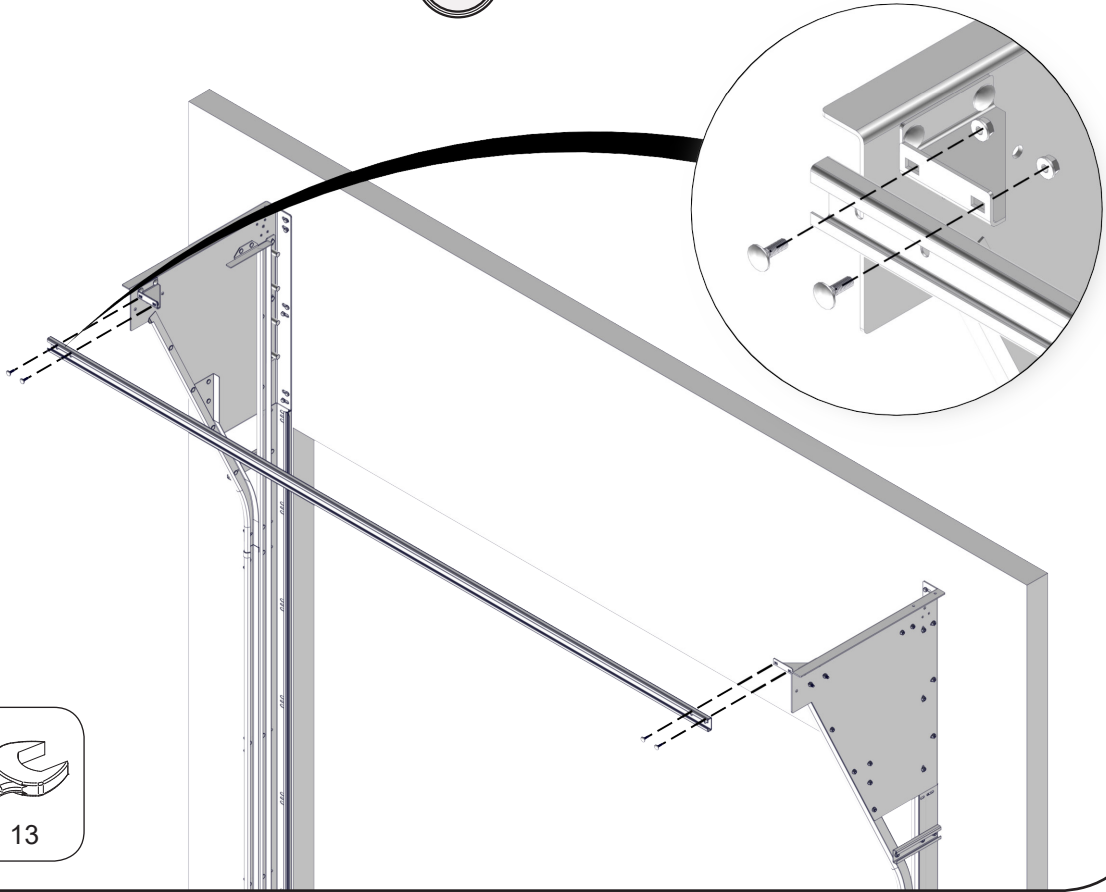
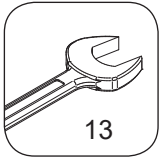
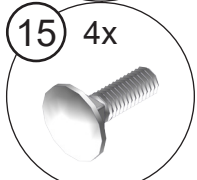
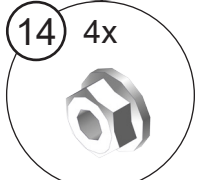
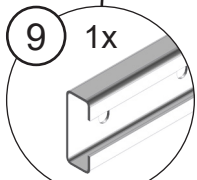
5



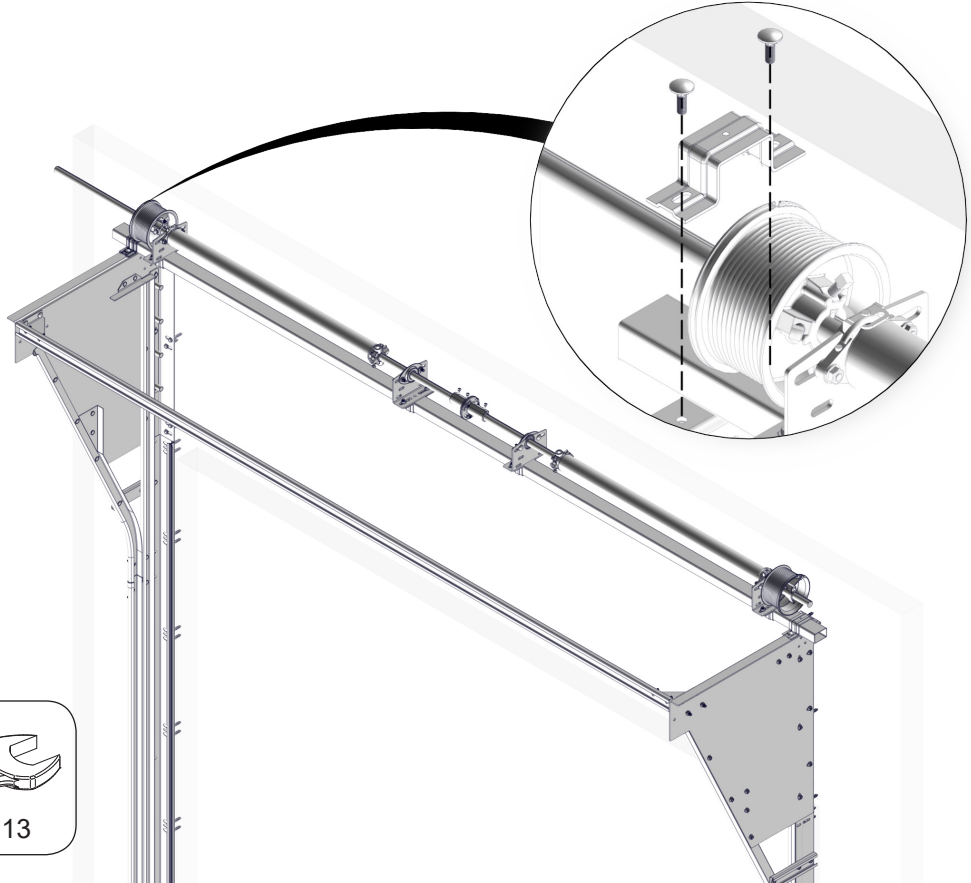
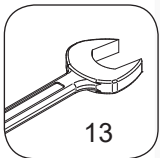
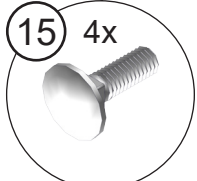
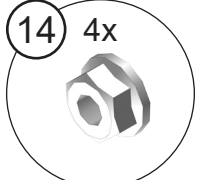
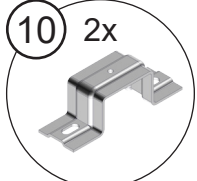


OPTION 1

8

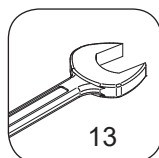
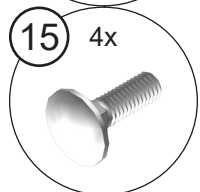
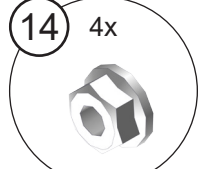
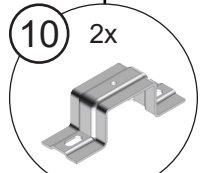


9

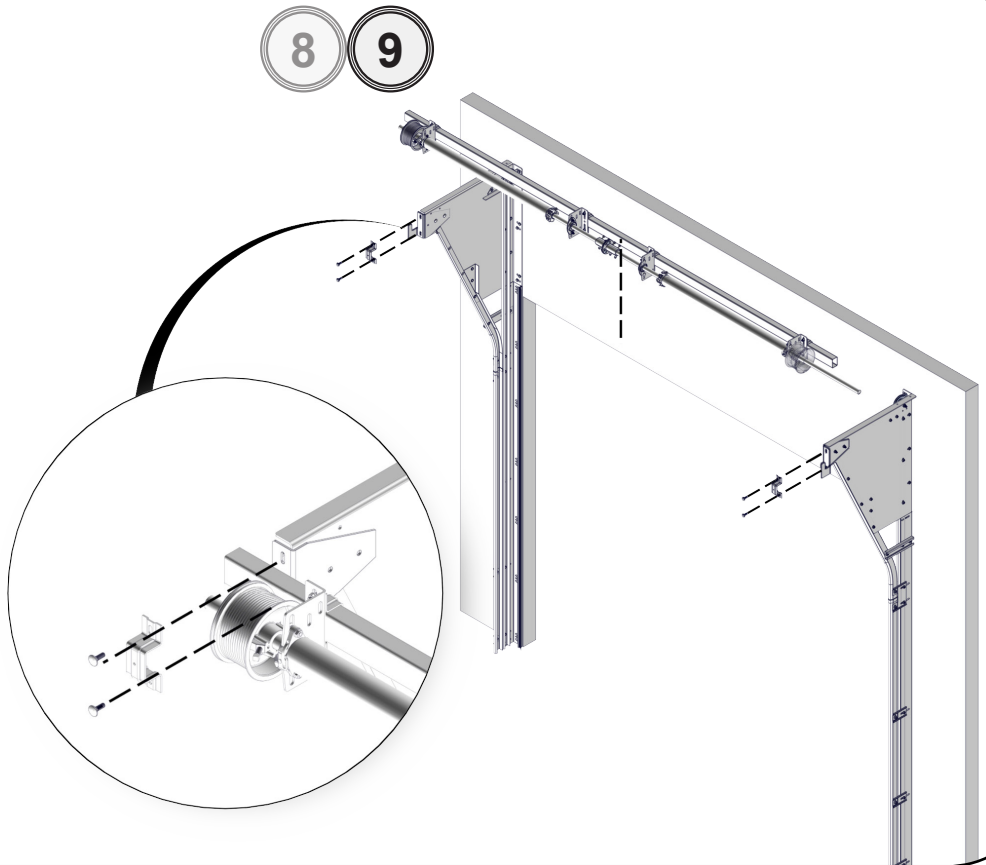


8

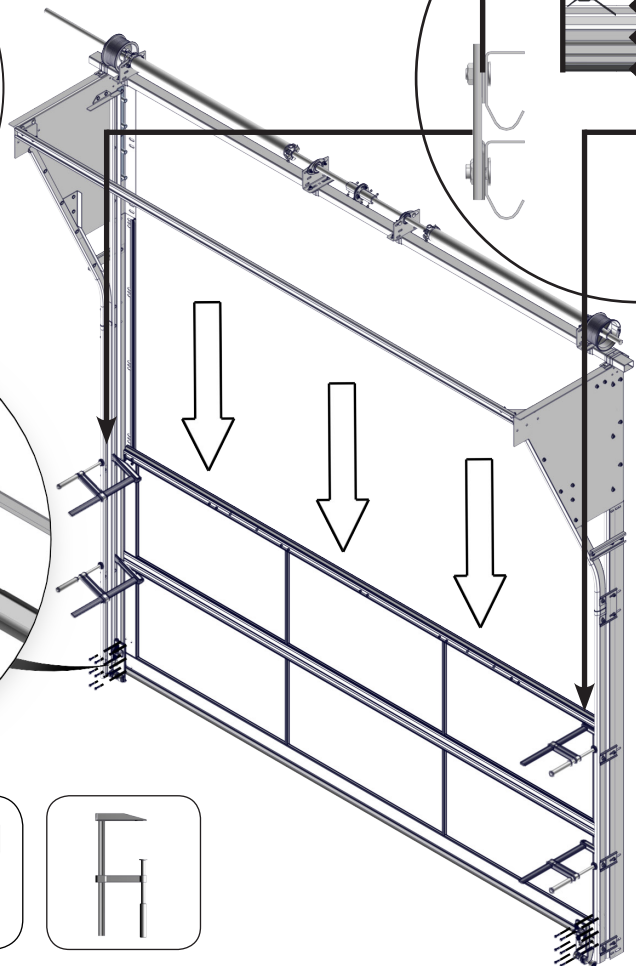
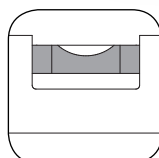
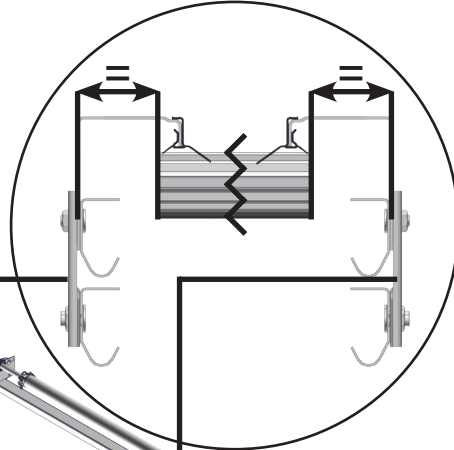
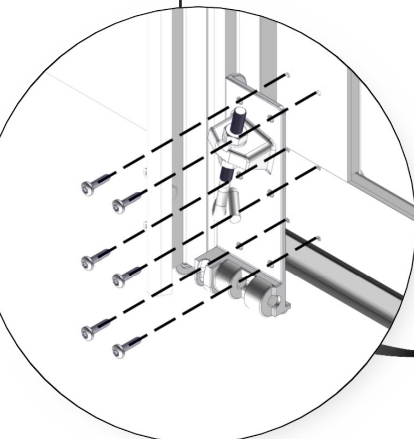
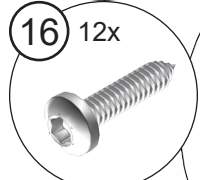
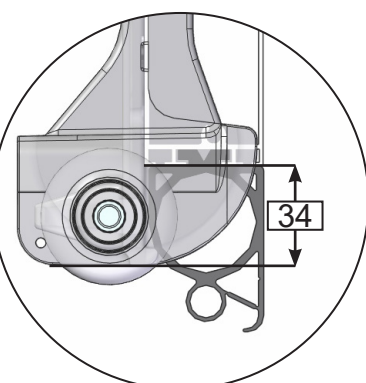
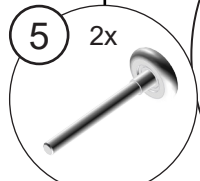
OPTION 2



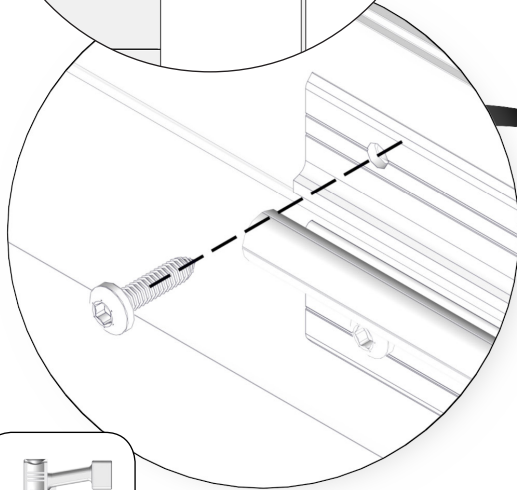
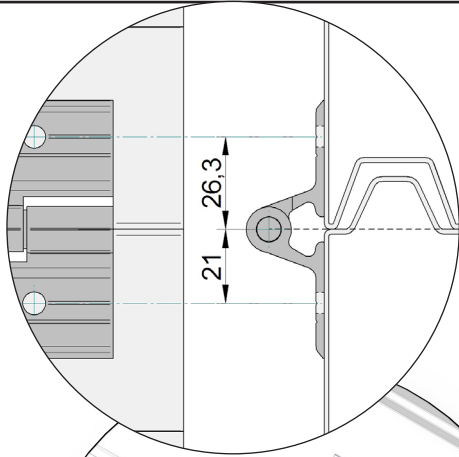
8 9



10

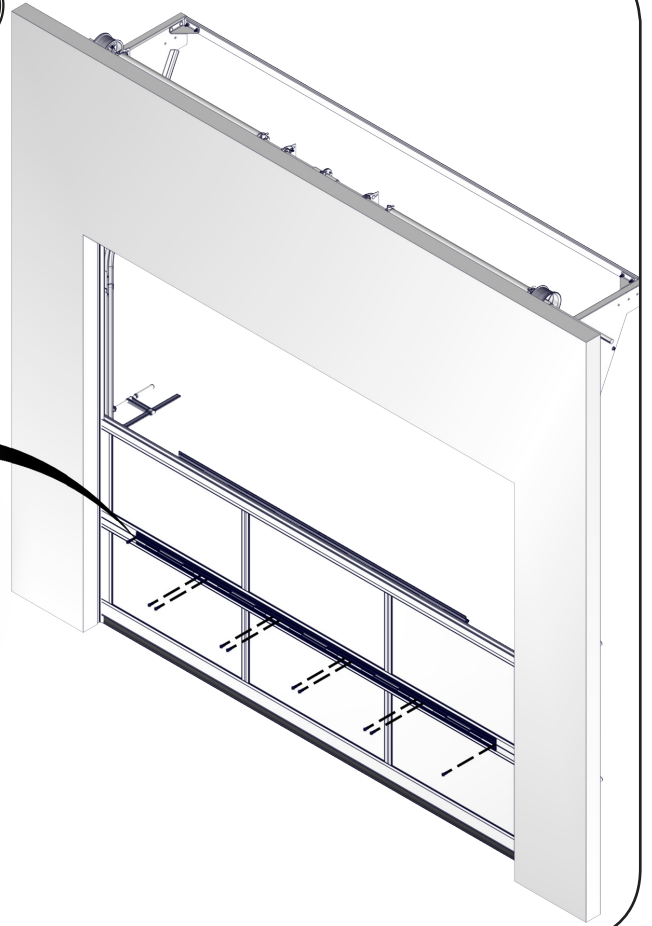


16



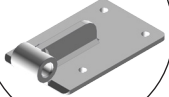
T30

11



12

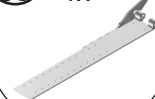
3 2x



5 2x



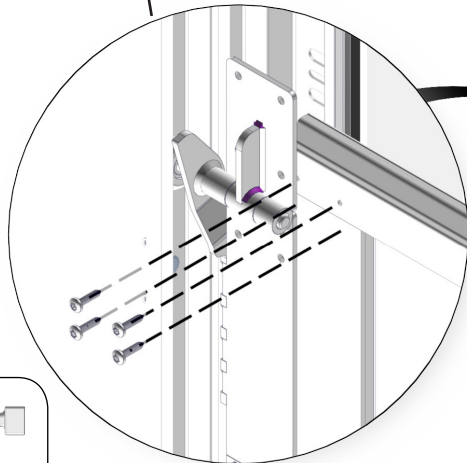
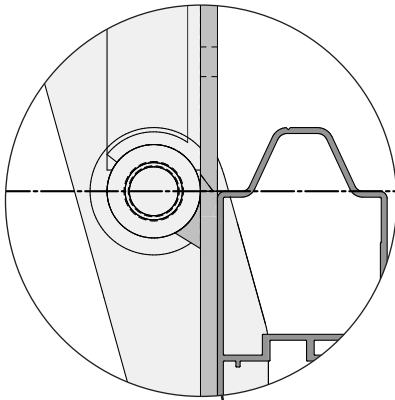
7S 1x



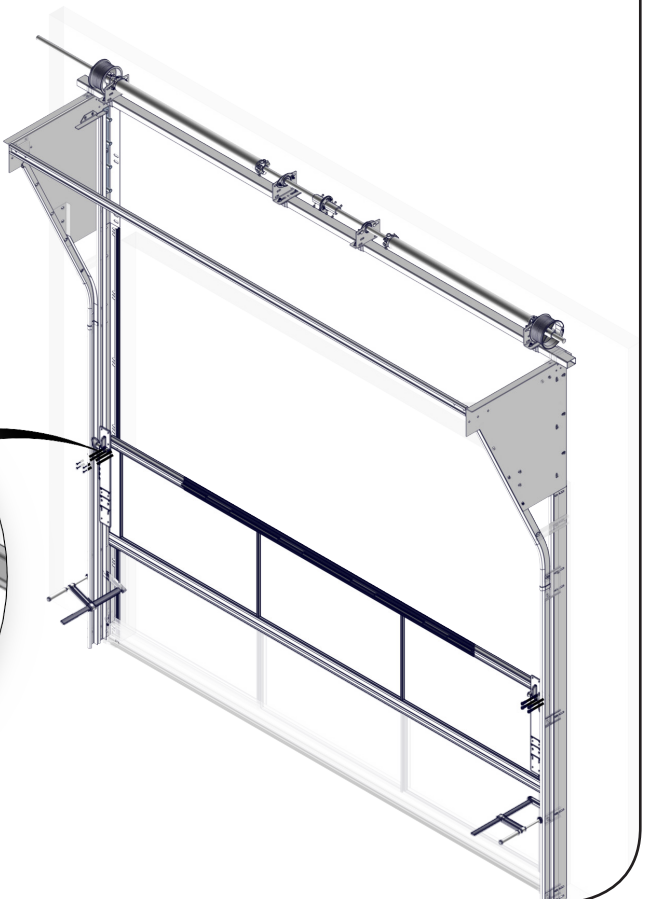
8S 1x



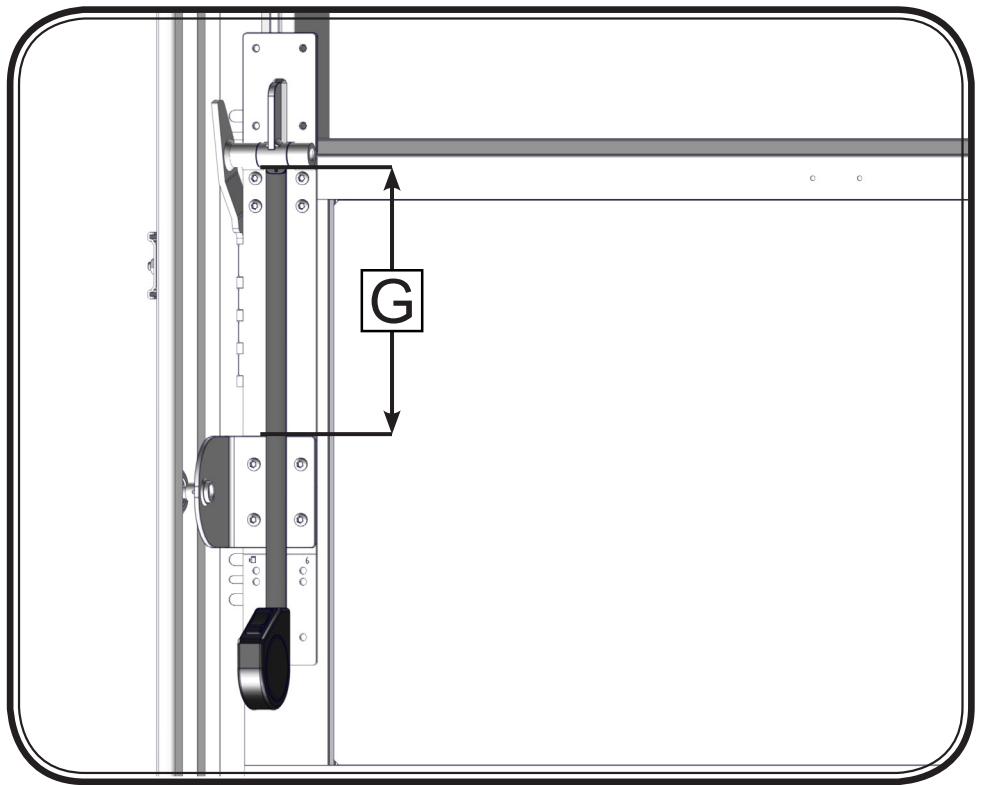
16



T30



10



paneel / Paneel /
panel / panneau

8 G = 420

7

6 G = 360

5

4 G = 300

3

2 G = 240

1

paneel / Paneel /
panel / panneau

6 G = 360

5

4 G = 300

3

2 G = 240

1

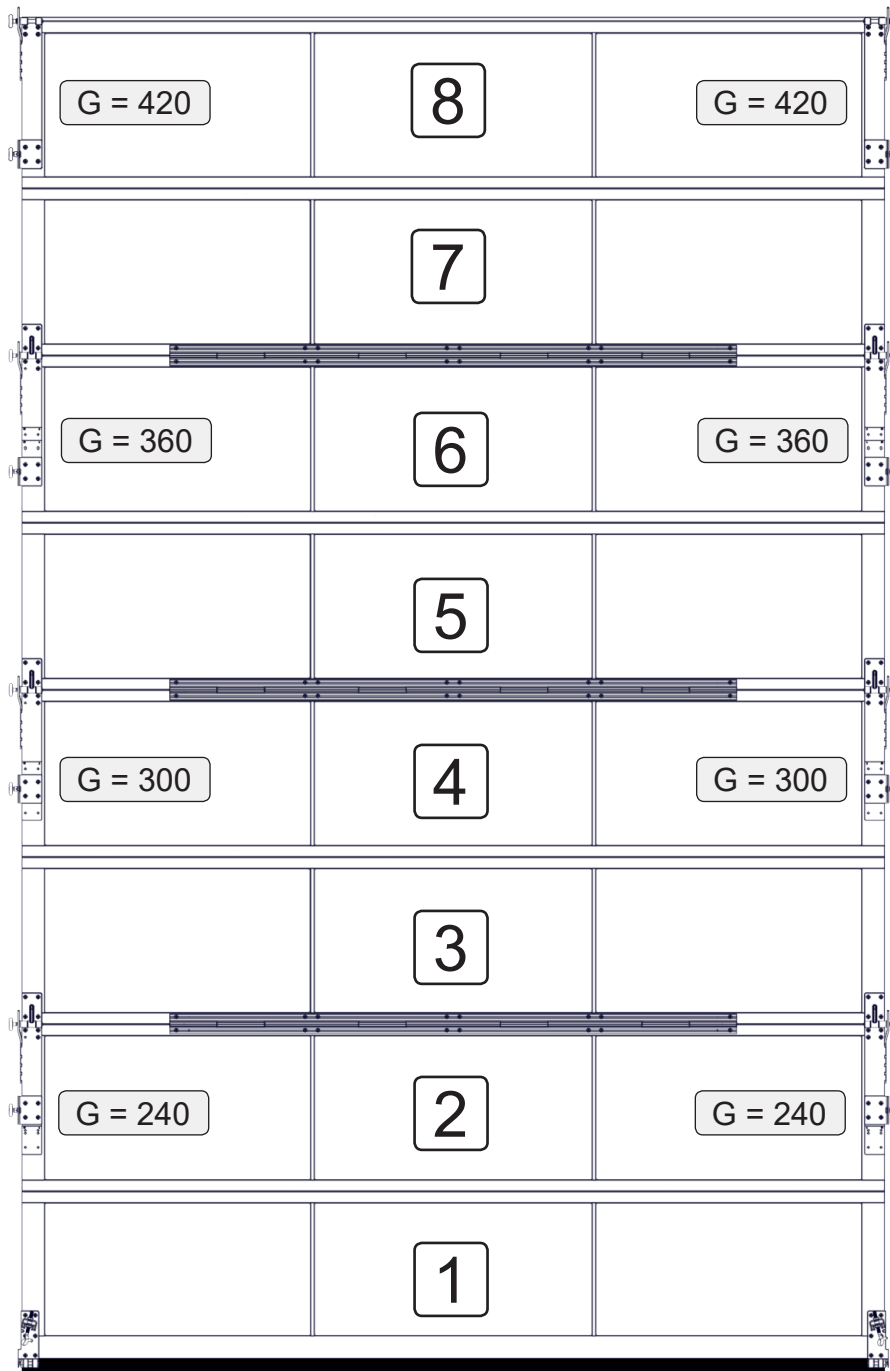
paneel / Paneel /
panel / panneau

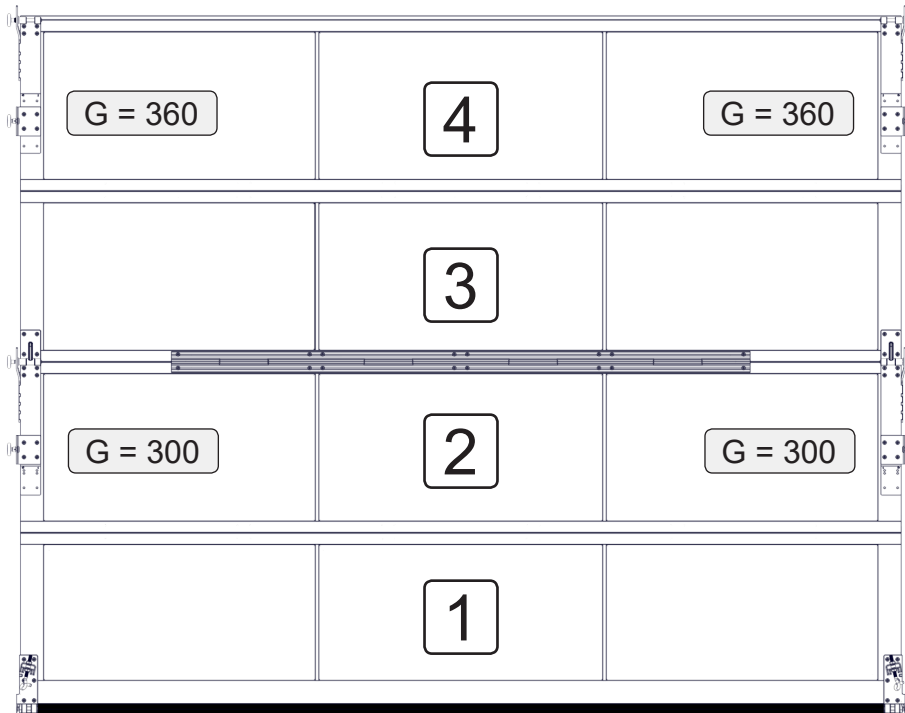
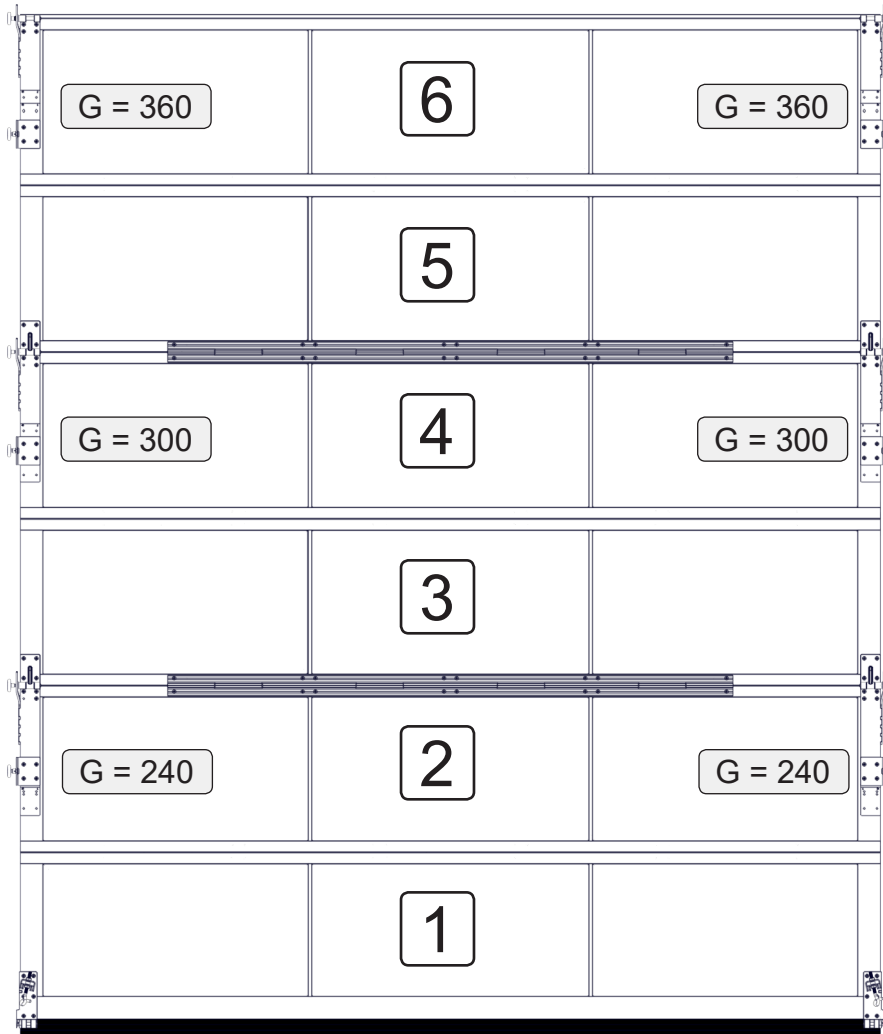
4 G = 360

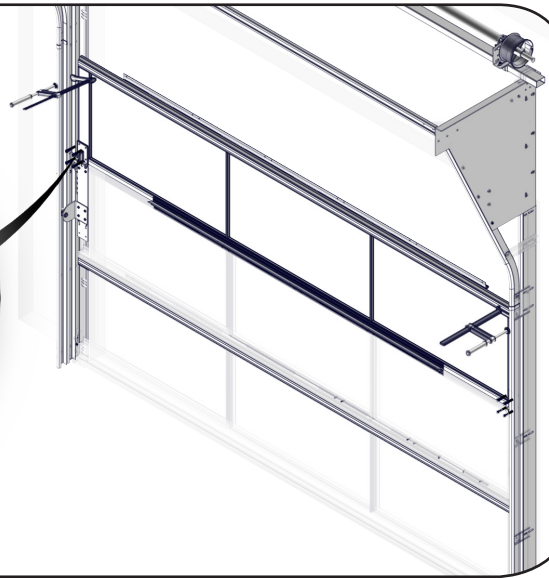
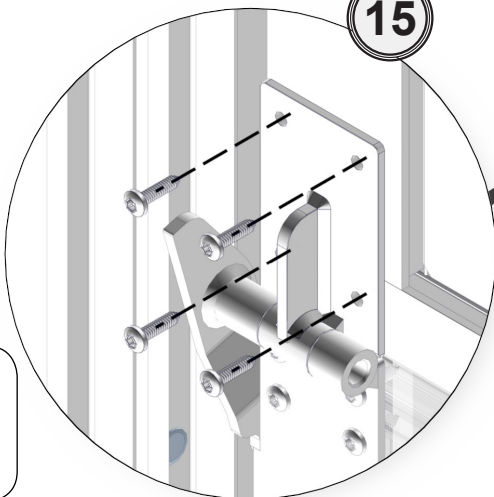
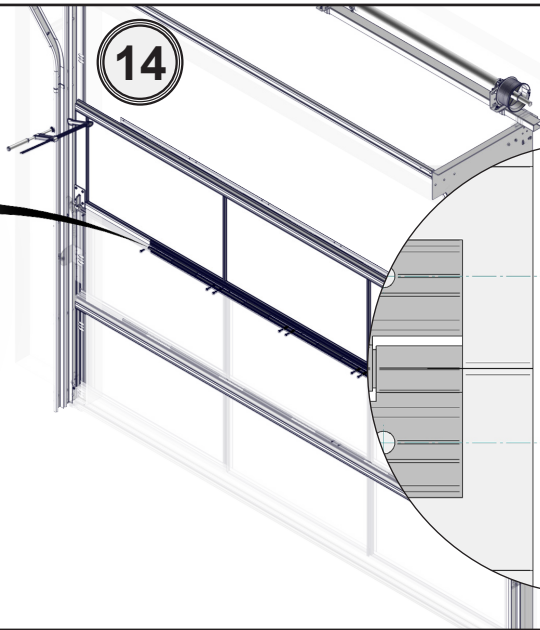
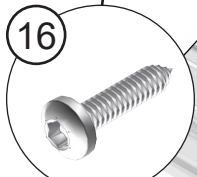
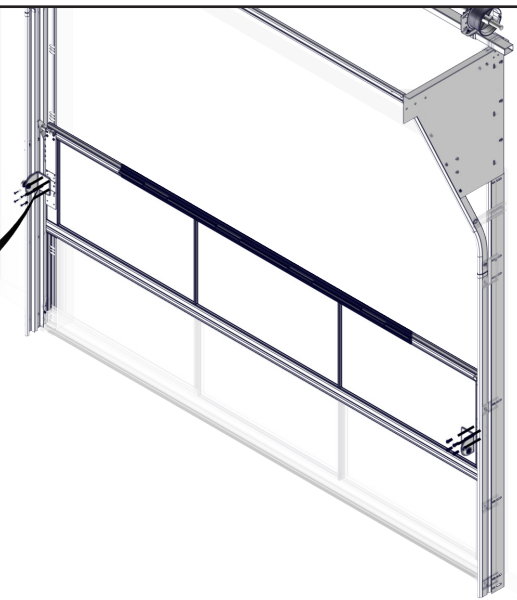
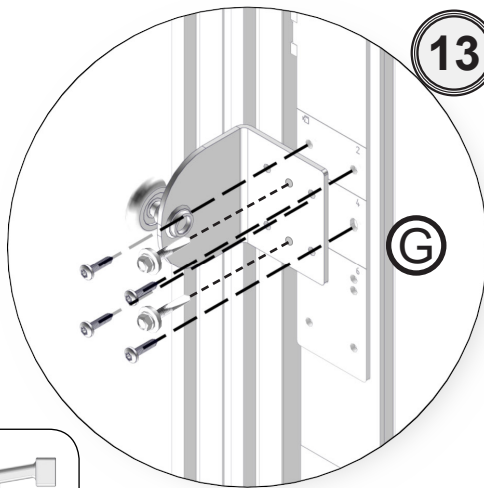
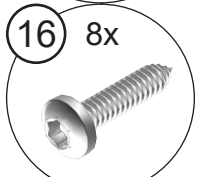
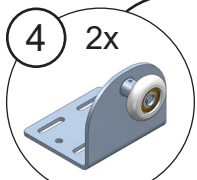
3

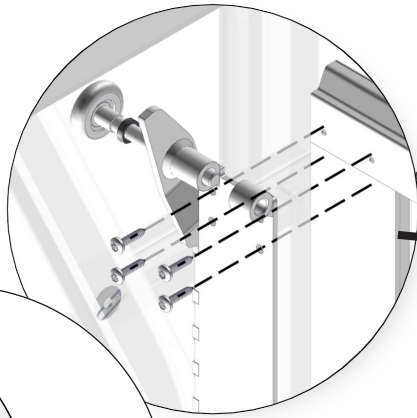
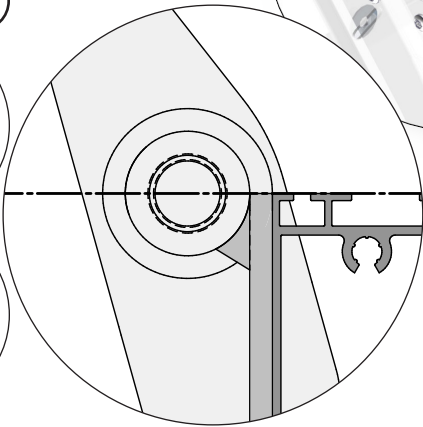
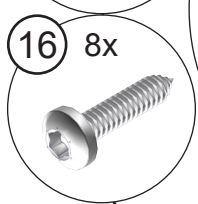
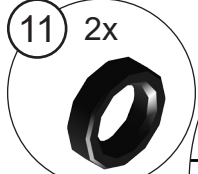
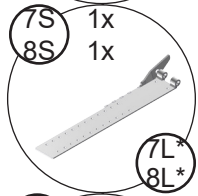
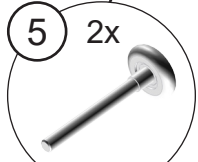
2 G = 300

1

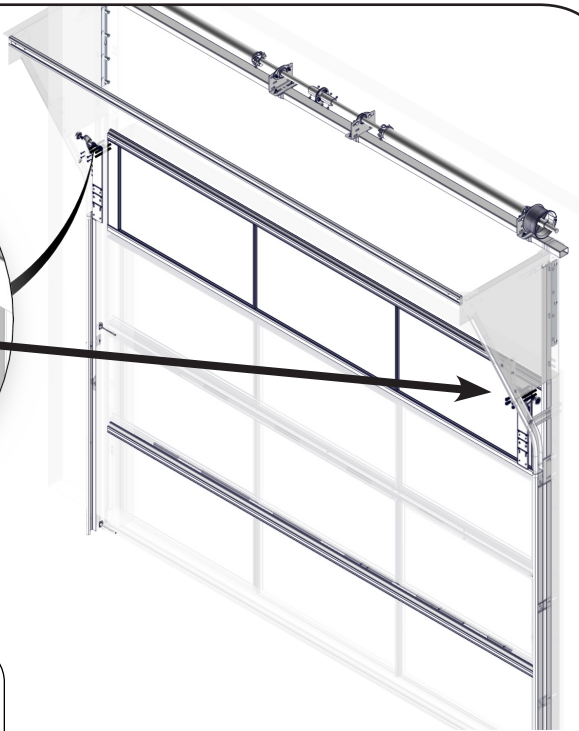




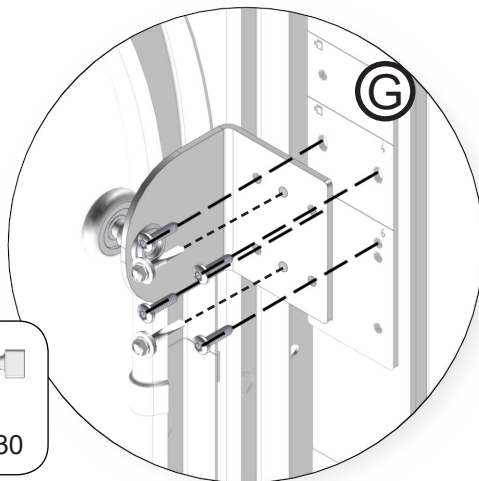
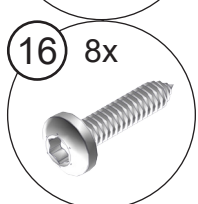
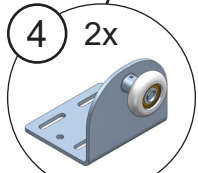




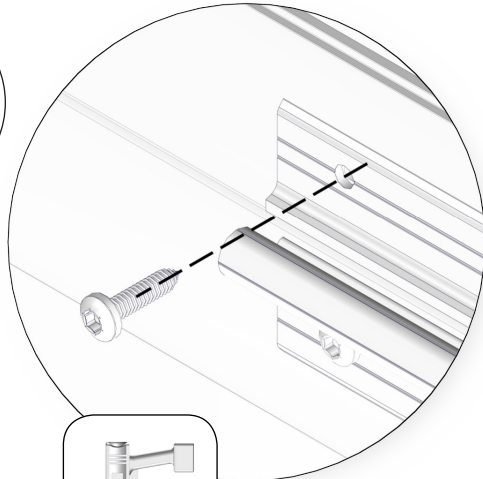
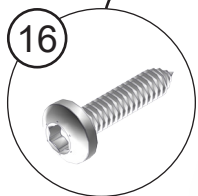
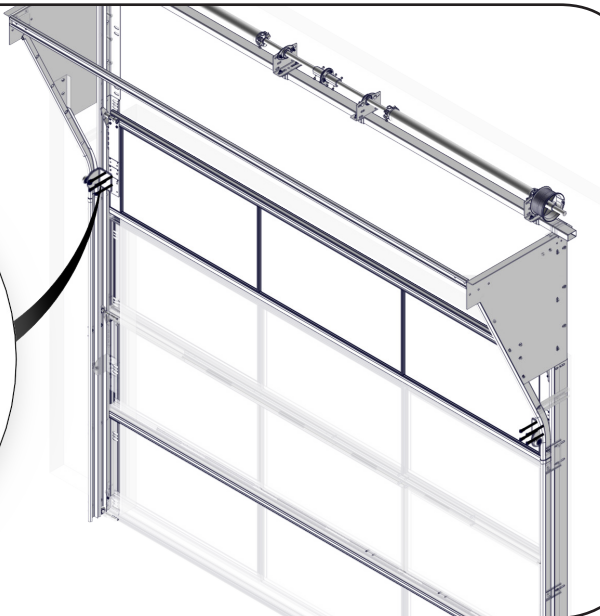
16



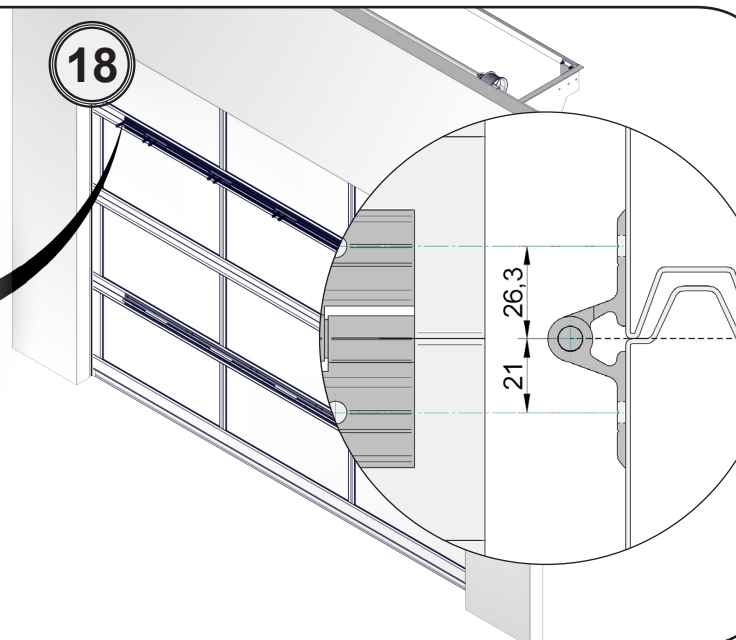
*8x secties/Sektionen/sections
= 7L + 8L

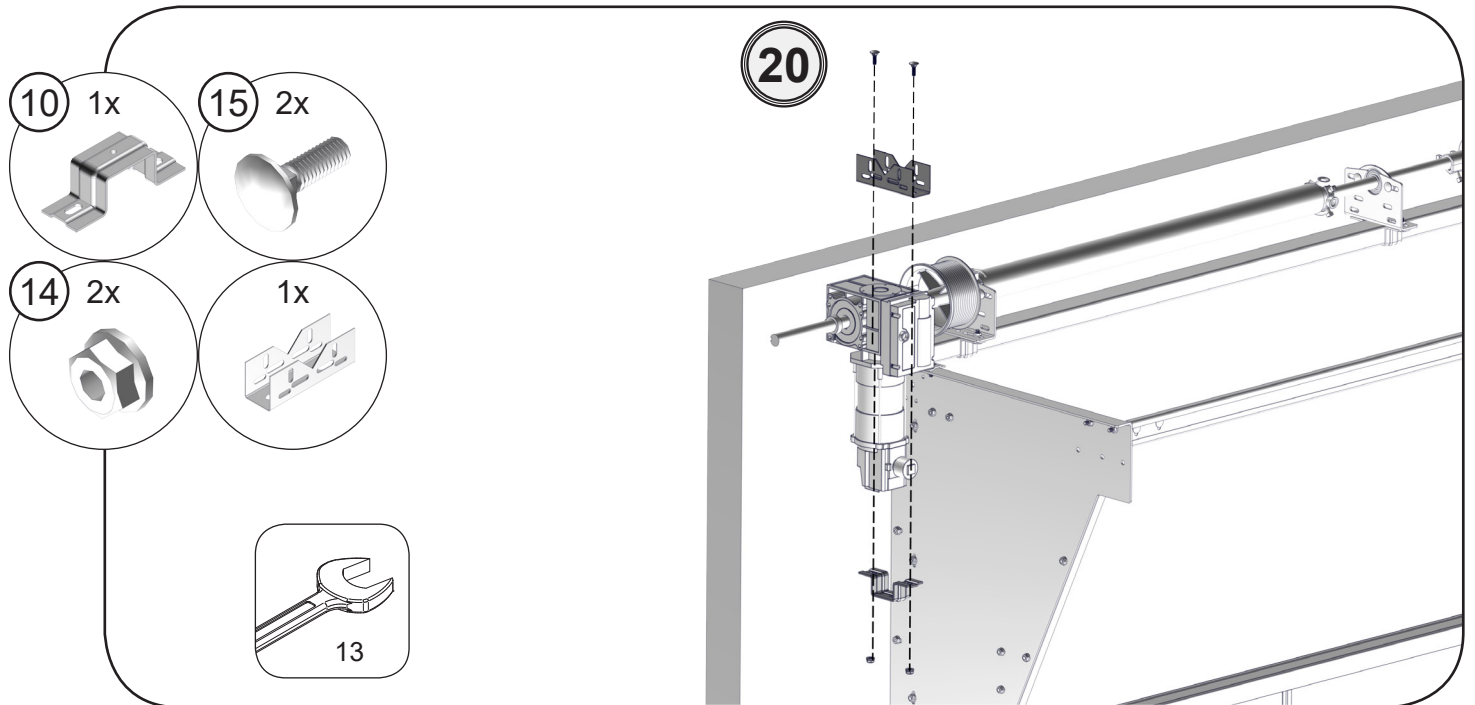
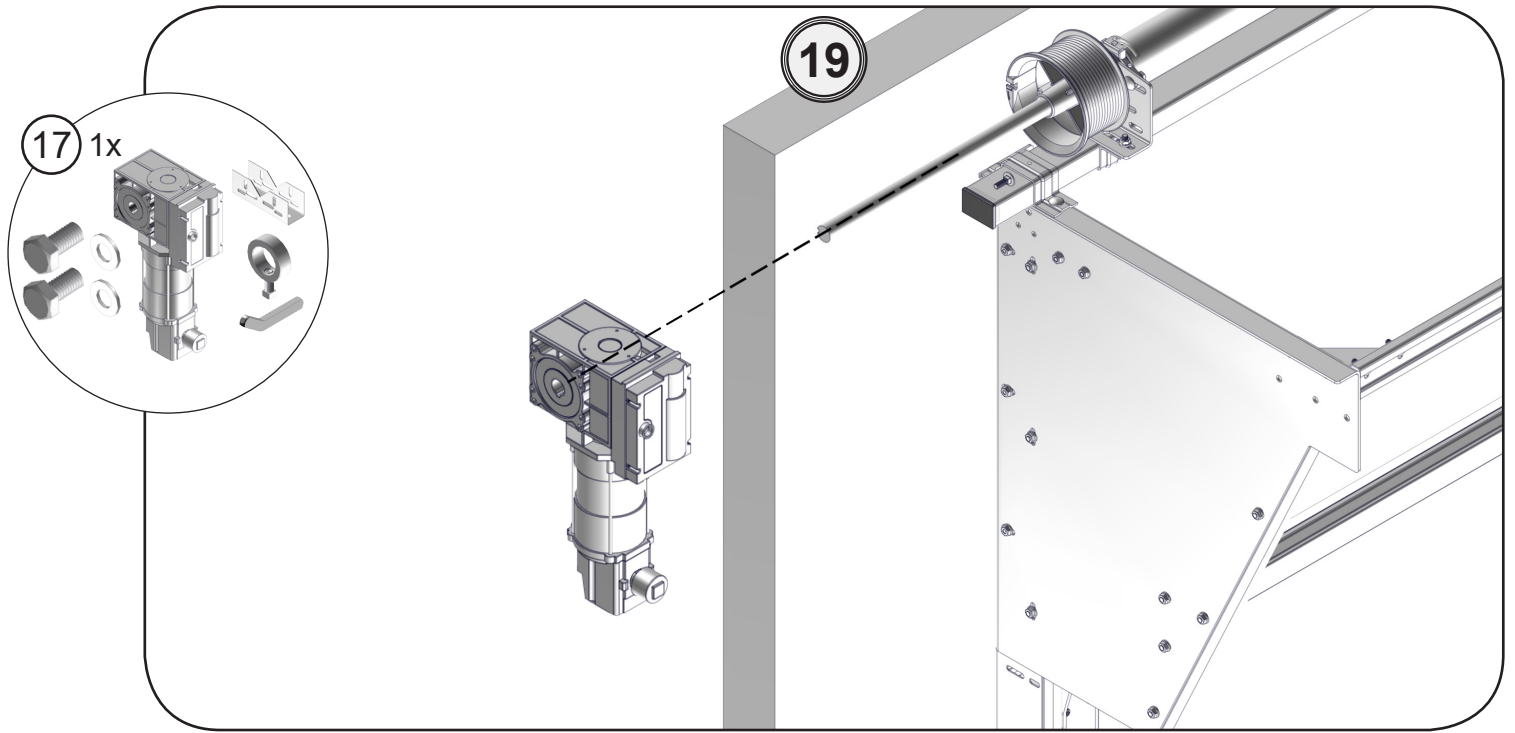


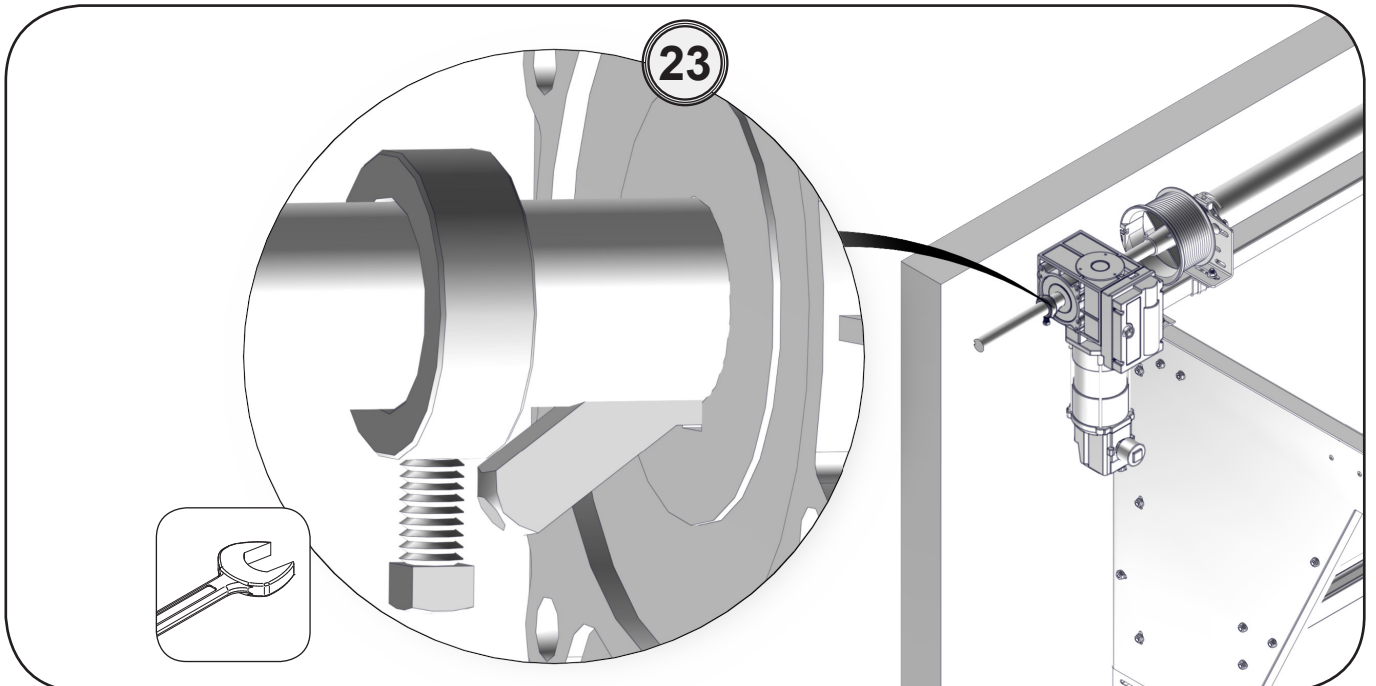
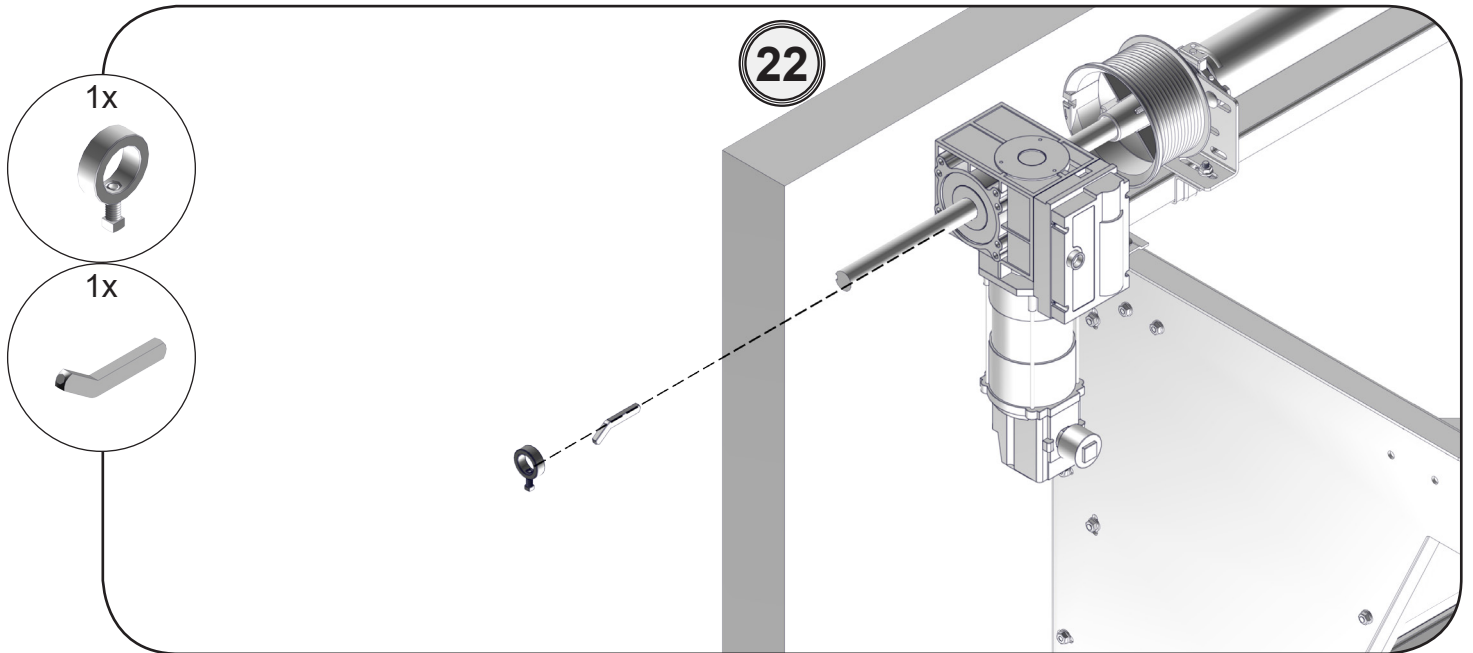
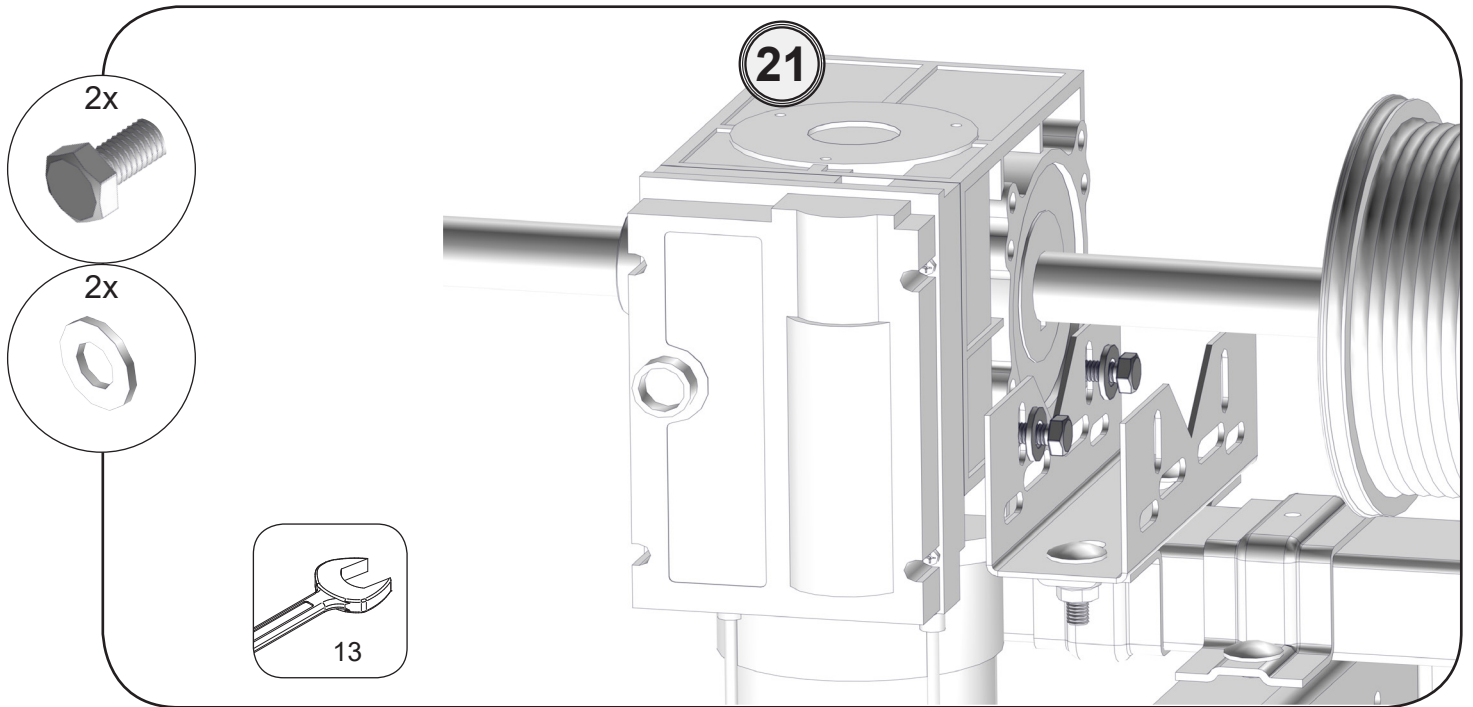
17



18







Turns x 360°

PW 12 Bon Hardware Industrie

Pitch Hilift

0 0

E

Aant Deurtype DMB DMH Secties Velden Beslag Gewicht Turns

Klant
Klant referentie:
Transport

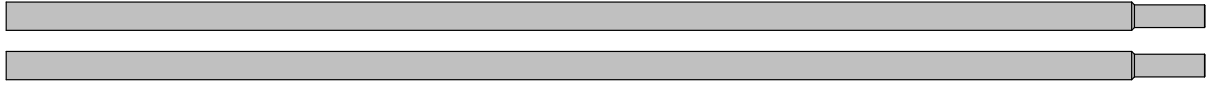
x

11.4

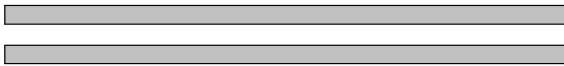
| Aant | Eenheid | Art. nr. | Artikel omschrijving | Doos | Lengte | Verpakt / Controle |
|------|---------|----------|--|------|--------|---|
| 1 | - | | Springs Left 6,00x51x950 Powdercoated | | | <input type="checkbox"/> <input type="checkbox"/> |
| 1 | - | | Springs Right 6,00x51x950 Powdercoated | | | <input type="checkbox"/> <input type="checkbox"/> |



VEER / FEDER / SPRING / RESSORT < 152 mm



VEER / FEDER / SPRING / RESSORT < 67 mm



STAAL / STAHL / STEEL / ACIER 52

